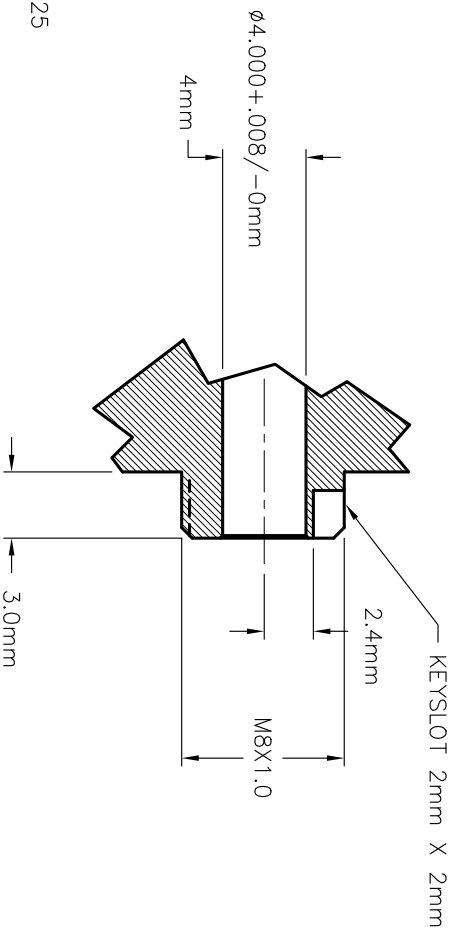
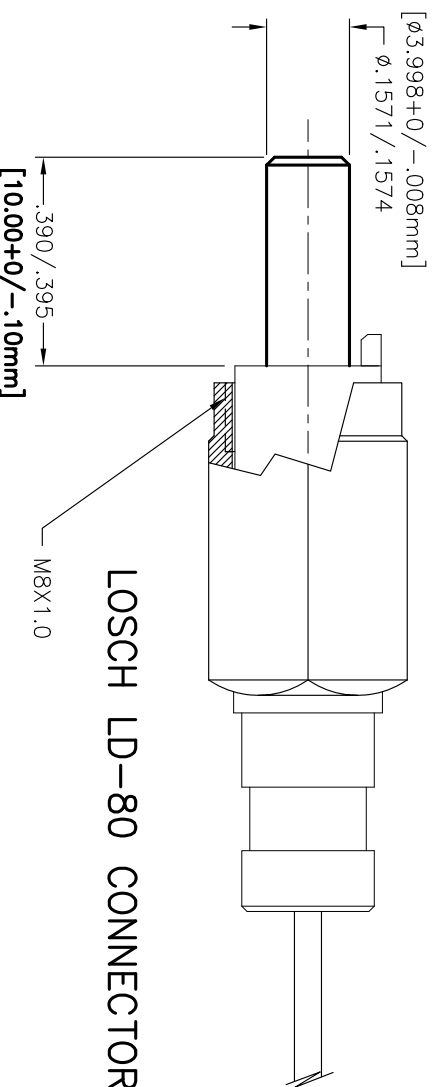
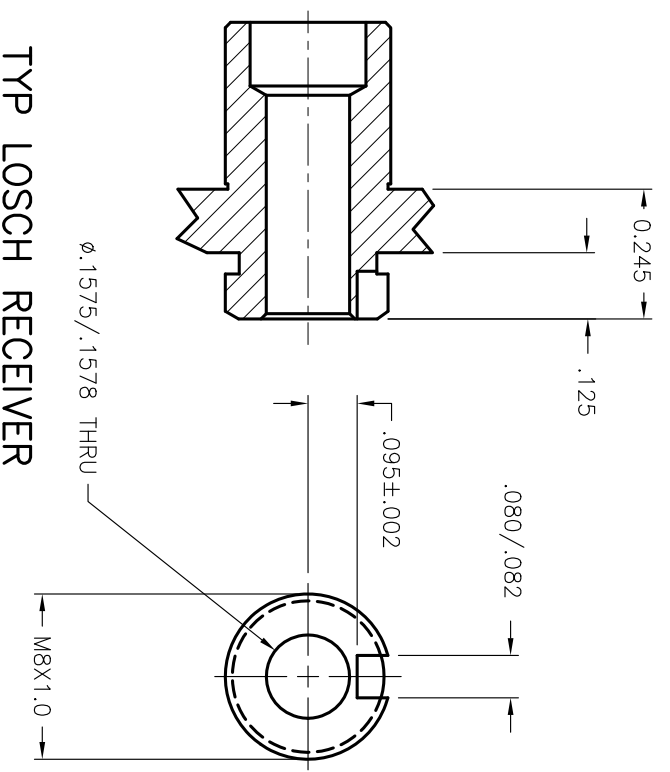
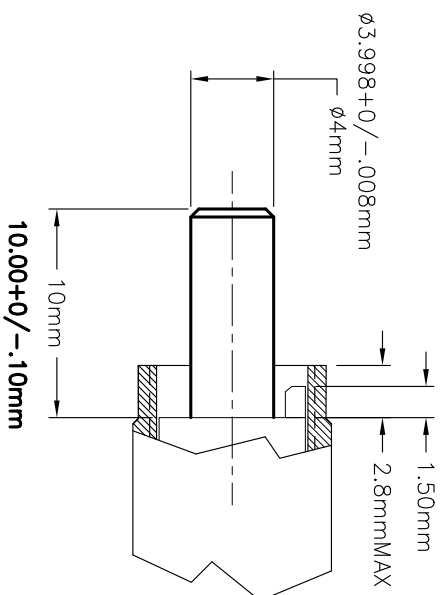


### 4X10mm FEMALE STANDARD



### 4X10mm MALE STANDARD



TYP LOSCH RECEIVER

LOSCH LD-80 CONNECTOR

NEXT ASSEMBLY

DIMENSIONS ARE IN INCHES

TOLERANCES:

X + ANGLES  
 .XX ± .02 ± 1 DEG.  
 .XXX : .005 FINISH

DO NOT SCALE DRAWING

### LD-80 CONNECTOR INTERFACE DIMENSIONS

SCALE:	DRAWN BY:	DATE:	CHECKED:	APPROVED:
4/1	R. LOSCH	7, 17.94		
MATERIAL:	FINISH:			
NA	N/A			

RICHARD LOSCH, Inc.

Bend, Oregon (541) 385-0170

A 205-500

REV 1