

Prepared By:
R. LOSCH

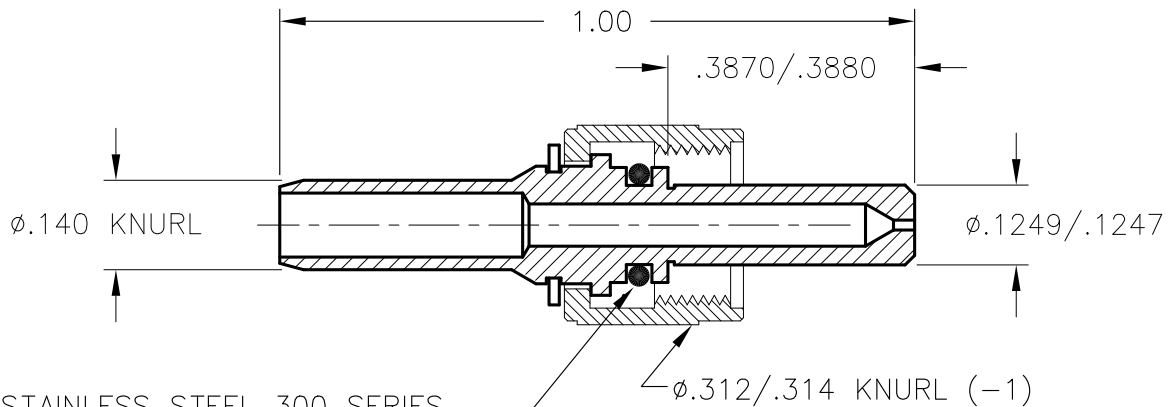
 Approved:
R. LOSCH

Checked By:

 Date Released:
1/31/91

CONNECTOR, SMA TYPE 905 ALL STAINLESS STEEL O-RING SEAL

Description:



MATERIAL: STAINLESS STEEL 300 SERIES

FINISH: PASSIVATED PER ASTM A380

O-RING PROVIDES POSITIVE SEAL TO STANDARD COUNTERBORED SMA RECEIVERS

SUPPLIED WITH BLACK VINYL FERRULE CAP AND 3mm BOOT

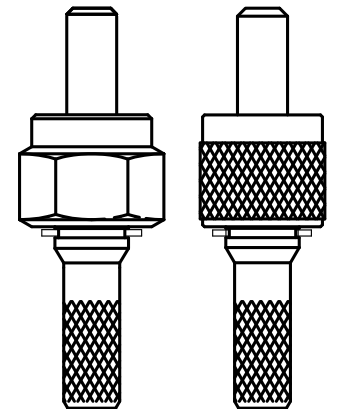
 HOLE DIAMETER TOLERANCE: $\pm 5\mu\text{m}$

 CONCENTRICITY (TIR) TO FERRULE: TYP $< 5\text{ microns}$

O-RING SEAL BUNA N-70 OR VITON V70

"Y" NUT TYPE:

- 1 STANDARD 5/16" KNURLED NUT
- 2 5/16" HEX NUT WITH SAFETY WIRE HOLES
- 3 5/16" HEX NUT PLAIN
- 4 1/2" DIAMETER KNURLED NUT


 HEX
NUT
(-3)

 KNURLED
NUT
(-1)

 SPECIFY FIBER HOLE SIZE REQUIRED IN MICRONS
MINIMUM HOLE SIZE: 230 microns

Manufacturer's Part Number:

20-032Y(V) -XXX

 NUT
TYPE

SPECIFY DRILLED SIZE

OPTIONAL VITON O-RING

Manufacturer's Name and Address

 RICHARD LOSCH INC.
340 SW COLUMBIA STREET
BEND, OREGON 97702
USA

Phone and FAX

TEL: 541/385-0170

FAX 541/385-0168

Date	1.10.00			
Appd.				
ECO No.	0012			
Rev. Ltr	2			

Distributor

Distributor

Distributor