

Prepared By:
R. LOSCH

 Approved:
R. LOSCH

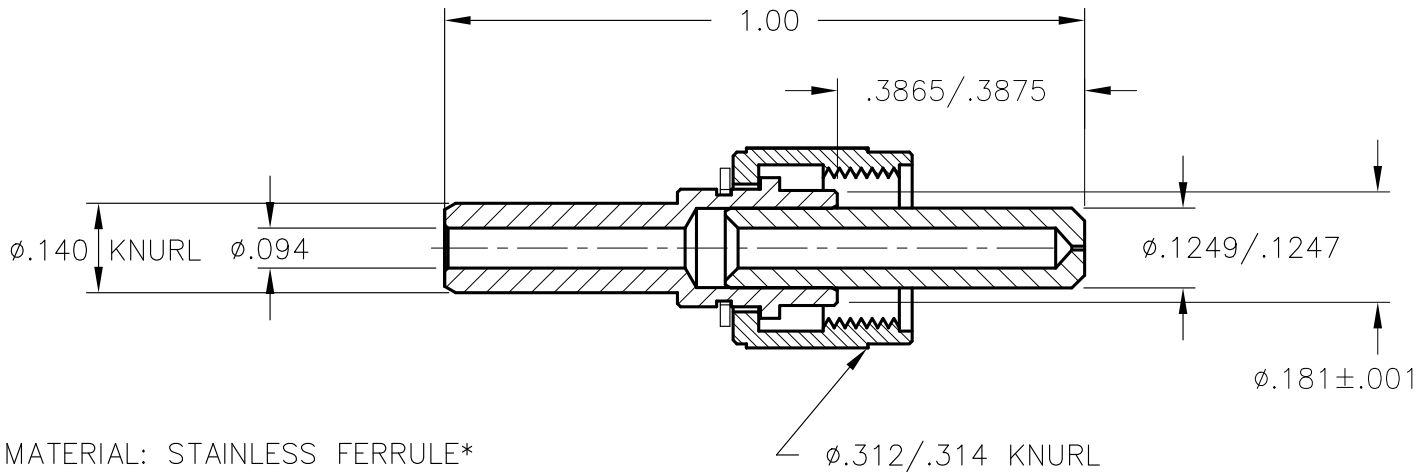
CONNECTOR, SMA TYPE 905

Checked By:

 Date Released:
12/15/93

ALL STAINLESS STEEL

Description:



MATERIAL: STAINLESS FERRULE*

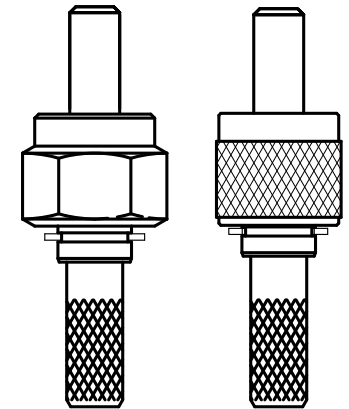
 STAINLESS STEEL 300 SERIES NUT, REAR BODY AND RETAINER
 SUPPLIED WITH BLACK VINYL CAP, BLACK NORPRENE BOOT, AND CRIMP SLEEVE

 HOLE DIAMETER TOLERANCE: $\pm 5\mu\text{m}$

 CONCENTRICITY (TIR) TO FERRULE: $<5\text{ microns}$

"Y" NUT TYPE:

- 1 STANDARD 5/16" KNURLED NUT
- 2 5/16" HEX NUT WITH SAFETY WIRE HOLES
- 3 5/16" HEX NUT PLAIN
- 4 1/2" DIAMETER KNURLED NUT


 HEX
NUT

 KNURLED
NUT

SPECIFY FIBER HOLE SIZE REQUIRED IN MICRONS

*STAINLESS STEEL 303 FERRULE MINIMUM HOLE SIZE: 230 microns

*STAINLESS ARCAP FERRULE MINIMUM HOLE SIZE: 125 microns

OTHER CONFIGURATIONS AND ID'S AVAILABLE

Manufacturer's Part Number:

20-025Y-XXX

 NUT
TYPE

SPECIFY DRILLED SIZE

Manufacturer's Name and Address

 RICHARD LOSCH INC.
 340 SW COLUMBIA ST.
 BEND, OREGON 97702
 USA

Phone and FAX

TEL: 541/385-0170

FAX: 541/385-0168

Date	1.10.00			
Appd.				
ECO No.	0012			
Rev. Ltr	2			

Distributor

RICHARD LOSCH INC.

Distributor

Distributor